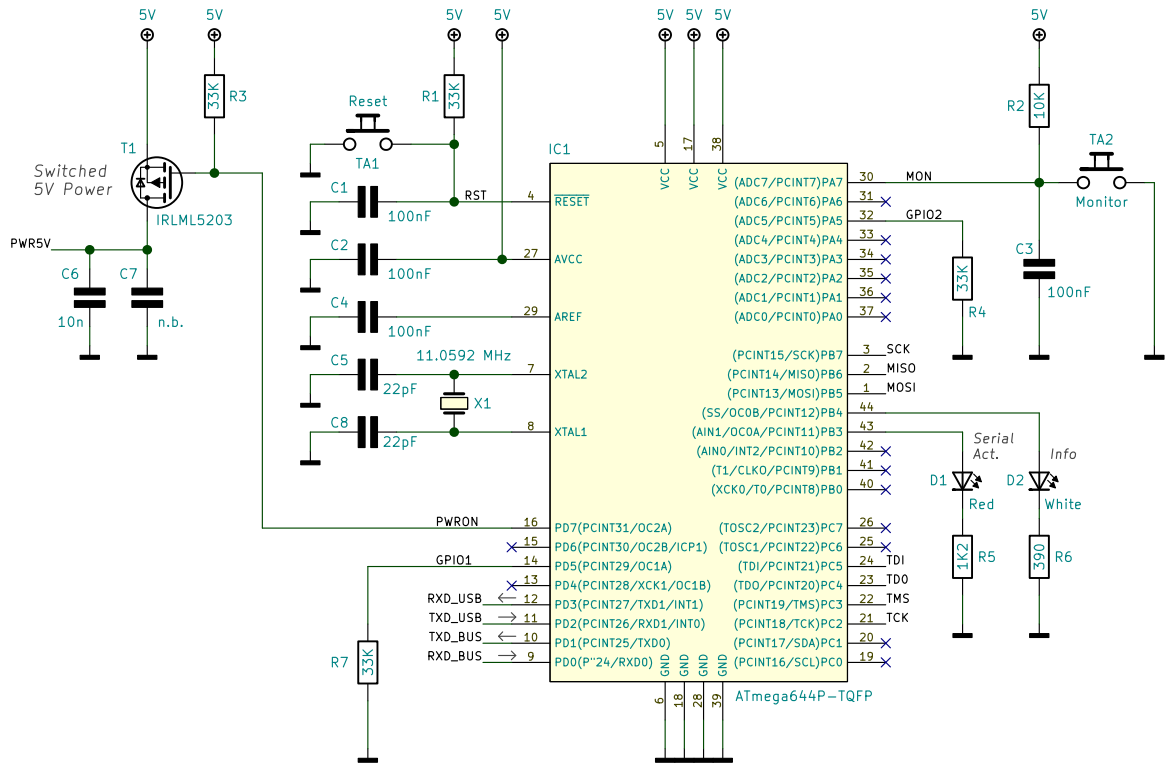
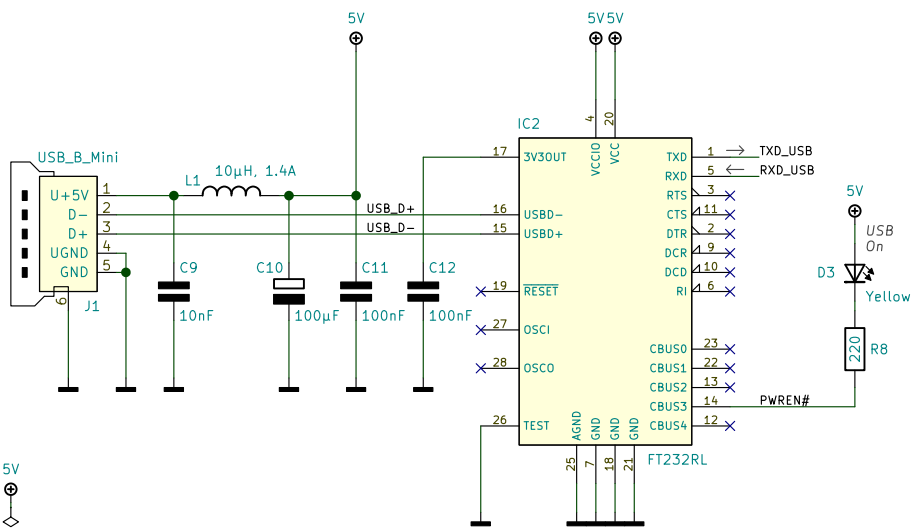


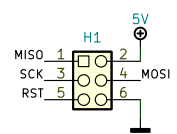
Gateway



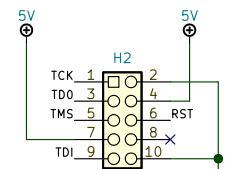
USB Interface



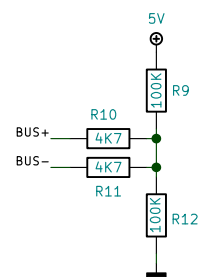
ISP Programmer (Option)



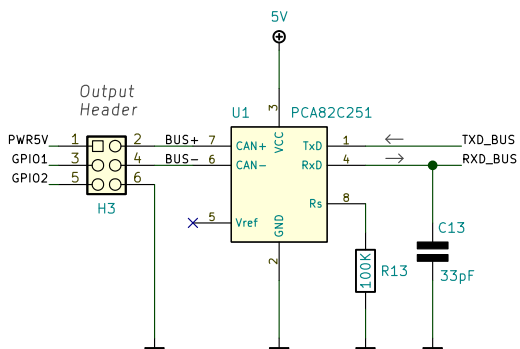
JTAG Programmer (Option)



Bus Terminator (Option)



Bus Interface



Cy4NET B00023: Cy4NET to Serial Gateway



File: B00023.sch

© Reimar Grasbon

Size: A4 | Date: 2020-06-20

KiCad E.D.A. kicad (5.1.6)-1

Rev: A

1/1