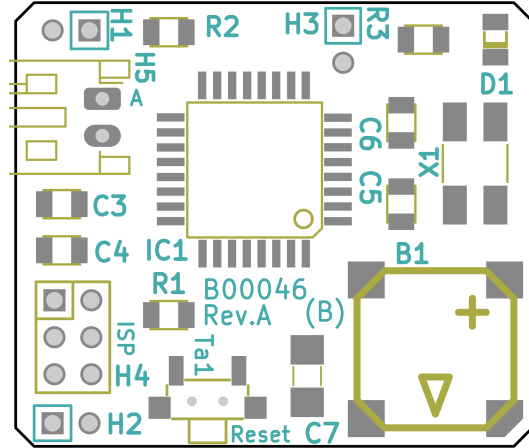
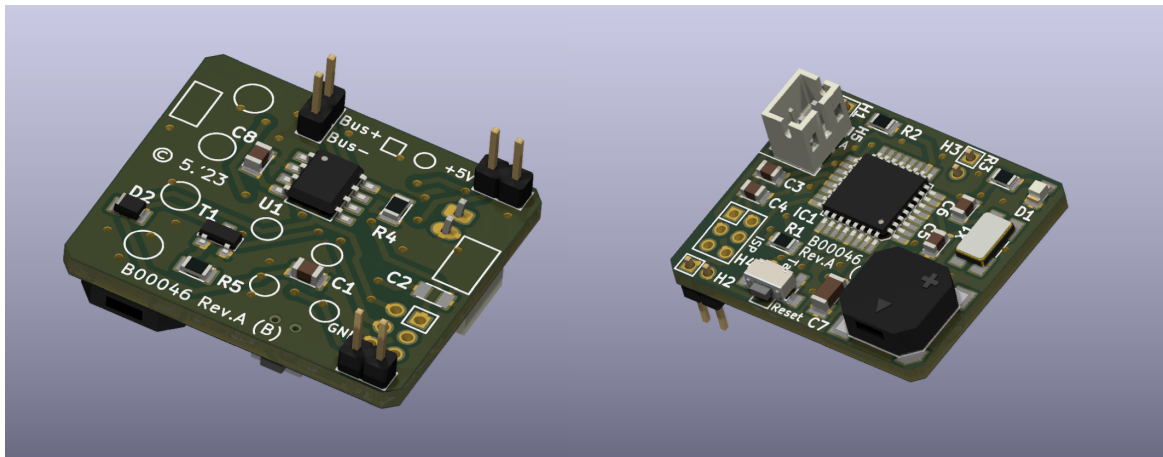


Oberseite



Unterseite



3D-Modell

**Cy4NET B00046: Single Contactor and Switch (bottom shelf)**



File: B00046\_Bottom.kicad\_pcb

© Reimar Grasbon

Size: A4 Date: 2023-05-30

KiCad E.D.A. pcbnew (7.0.0)

Rev: A

1/1