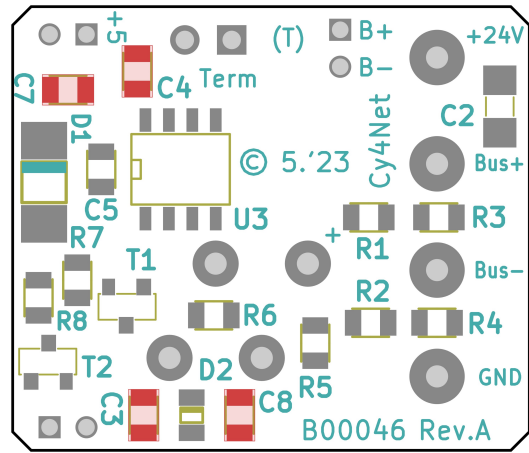
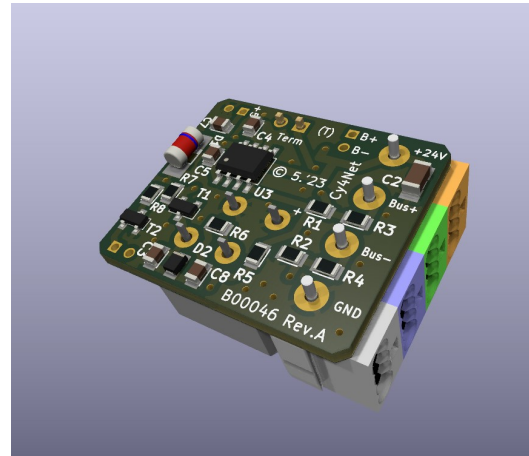
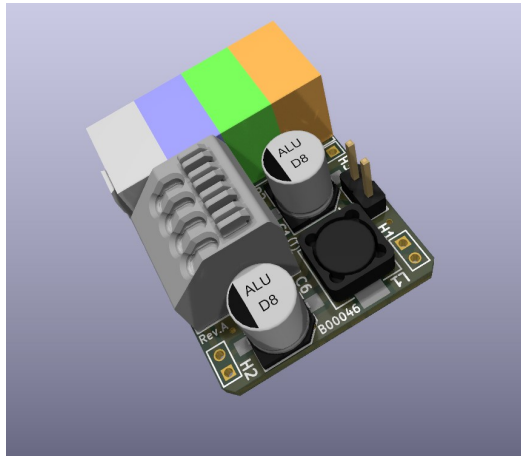


Oberseite




Unterseite



3D-Modell

Cy4NET B00046: Single Contactor and Switch (top shelf)

	File: B00046_Top.kicad_pcb		
	© Reimar Grasbon		
	Size: A4	Date: 2023-05-30	Rev: A
	KiCad E.D.A. pcbnew (7.0.0)		1/1