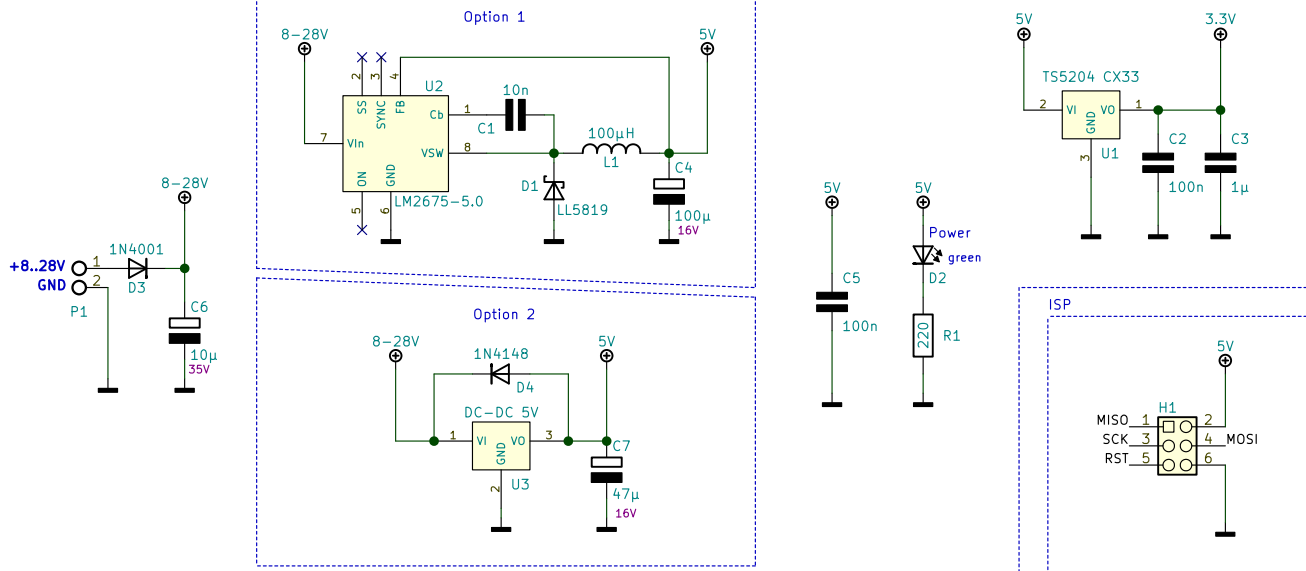
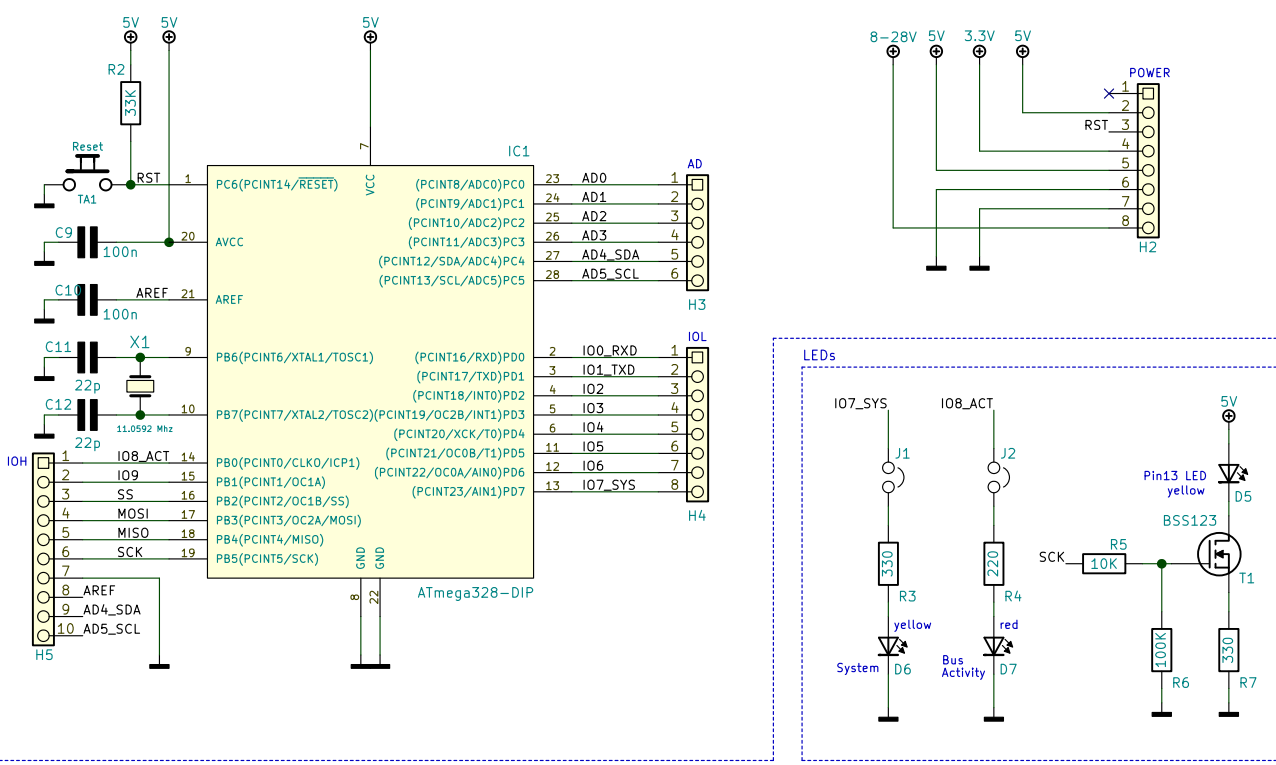


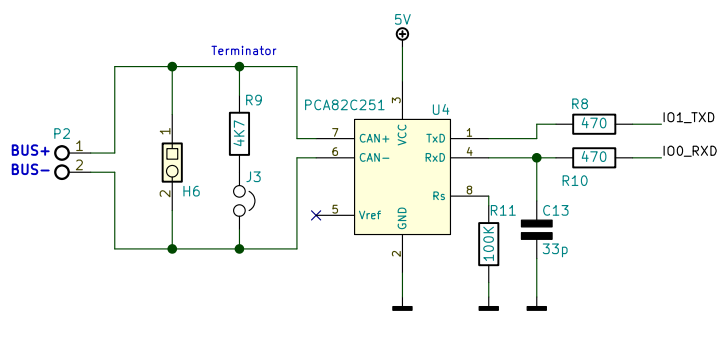
Powersupply



Controller



Busconnection



Cy4NET N° 00110: Cy4ino Uno



File: B00110.sch
© Reimar Grasbon
Size: A4 Date: 2018-12-01
KiCad E.D.A. kicad (5.0.2)-1
Rev: B
1/1